



**FUTURE PROOF LED
STREETLIGHT RANGE**

SPECTRALED STREET FP



APPLICATION:

- Street lighting
Class A and B Roadways
- Outdoor lighting
- Security lighting
- General amenity lighting



FEATURES & BENEFITS:

- IP66, IK09
- Tool-free maintenance
- Fully detachable lens and gear compartment for ease of maintenance
- Built in spigot with multiple rake angles
- Various optics available
- 70,000hr rated LED lifetime
- Electrical isolation on opening
- Built-in internal surge protection
- Thermal overload protection



ENERGY EFFICIENT LED



LOCAL CONTENT

- Local assembly



MAGNITECH
LIGHTING INDUSTRIES

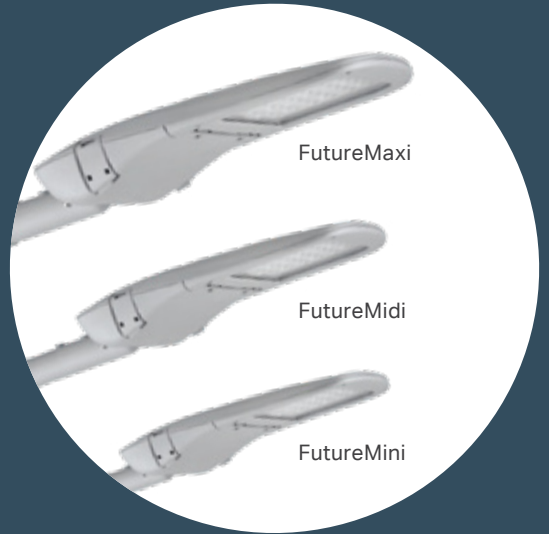
SPECTRALED STREET FP

FUTURE PROOF LED STREETLIGHT RANGE



FEATURES

- **Fully detachable ADC12 IP66 fixture, offering tool-free maintenance, side or bottom entry installation with multiple rake angles as well as various optics for optimal light distribution**
- **IP 66 rated**
- **Body**
ADC12 Die-cast aluminium, detachable from base
- **Diffuser**
IK09 impact resistant glass
- **Wiring**
High Temperature SABS approved wiring with inline push-in connectors
- **Gasket**
Closed cell silicon gasket for durability and heat resistance
- **Spigot Entry**
Future Mini: 42mm/60mm \varnothing
Future Midi: 42mm/60mm \varnothing
Future Maxi: 76mm \varnothing
- **Electrical Class**
I or II
- **Optics**
Multiple Optics available
- **Surge Protection:**
Internal 6kv surge protection (standard)
External 10kv/20kv surge protection (optional)
- **Windage Area:**
Future Mini: 0.0345m²
Future Midi: 0.0503m²
Future Maxi: 0.0748m²
- **Intelligent Control System**
Optional



Breather:
Ensures air balance inside and outside of the lamp, improving lamp service life

Knife Switch Terminal Block
Disconnects power when unit is opened

Removable gear tray

Surge protection device (Optional)

Photocell (Optional)

Push-in connectors
For easier tool-free detachment

Detachable lamp & gear compartment

Modular LED lens design



APPLICATIONS

- **Street lighting**
Class A and B Roadways
- **Outdoor lighting**
- **Security lighting**
- **General amenity lighting**



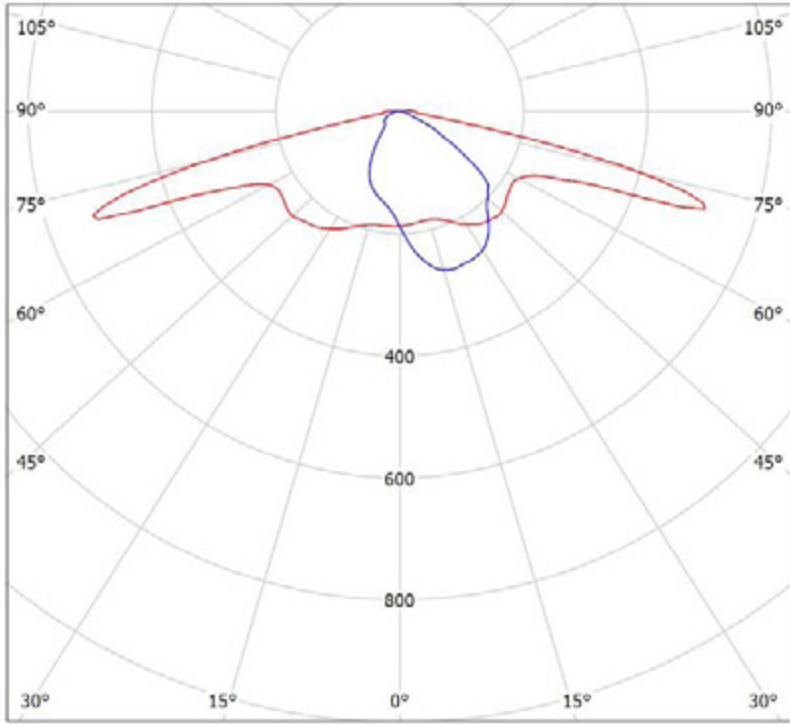
STANDARDS

- **SANS / IEC 60598**
- **SANS 475**

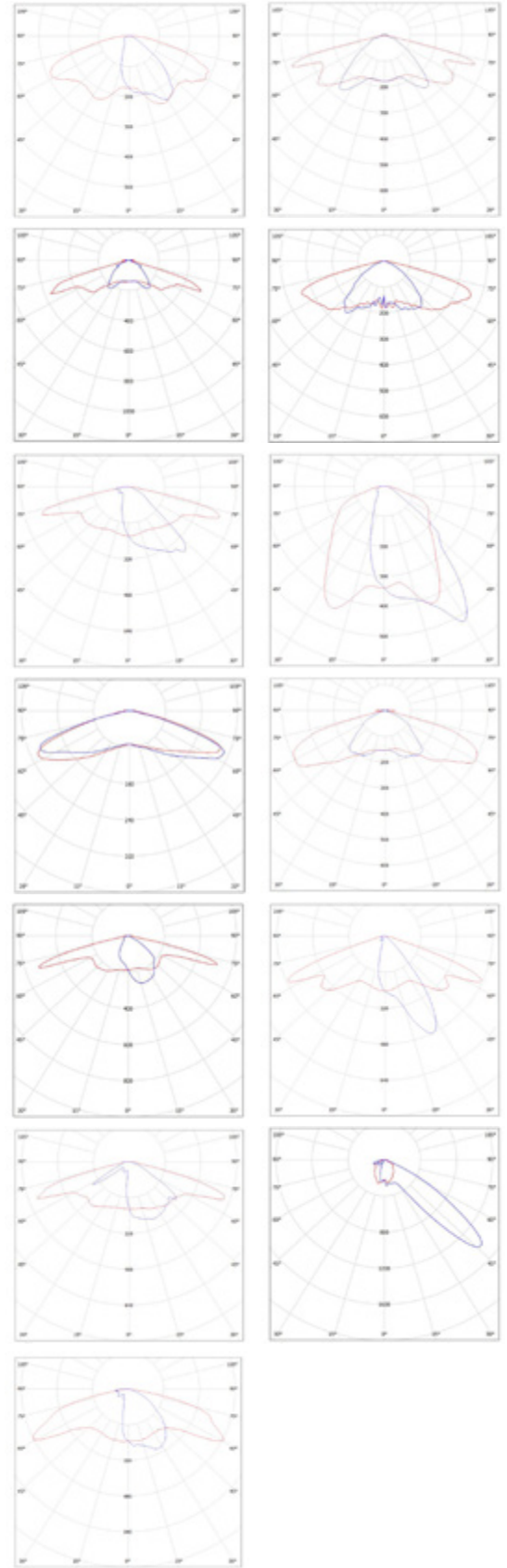


PHOTOMETRIC DATA

SPECTRALED STREET FP POLAR GRAPH (STANDARD PHOTOMETRICS)

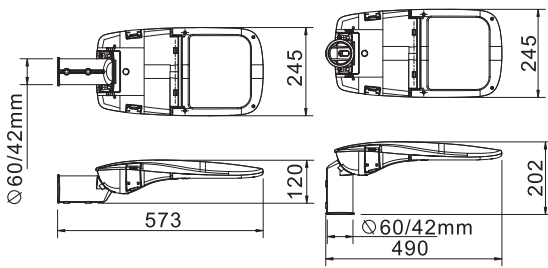


OTHER PHOTOMETRIC OPTIONS

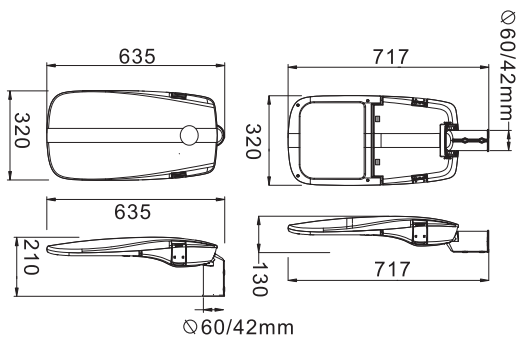


DIMENSION LINE DRAWINGS

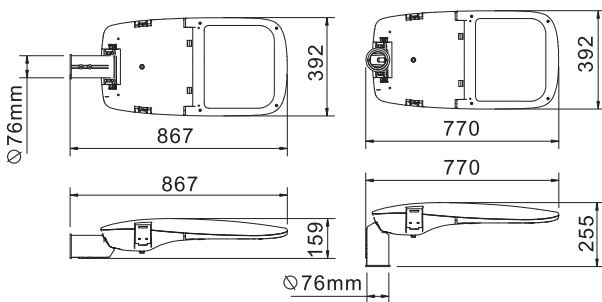
FUTUREMINI



FUTUREMIDI



FUTUREMAXI



Due to continuing R&D, the above data may change without prior notice.
Please consult us for the latest available options. Warranties subject to our standard terms and conditions of sale.

ACCESSORIES

1. External Surge Protection Device 10/20kV
2. Photocell
3. Intelligent Control System

ORDERING DATA

PRODUCT CODE	SFP0030	SFP0040	SFP0050	SFP0060	SFP0070	SFP0080	SFP0100	SFP0120	SFP0150	SFP0180	SFP0200	SFP0240
RANGE NAME	FUTUREMINI			FUTUREMIDI				FUTUREMAXI				
RATED POWER	30W	40W	50W	60W	70W	80W	100W	120W	150W	180W	200W	240W
LUMINOUS FLUX (±5%)	±3900	±5200	±6500	±7800	±9100	±10400	±13000	±15600	±19500	±23400	±26000	±31200
COLOUR TEMPERATURE	6500k /4000k (standard) /3000k											
INPUT VOLTAGE	AC 100-277V											
FREQUENCY RANGE	50/60Hz											
CRI	>75											
TA	-40°C TO +45°C											
HUMIDITY	20% - 90%											
LED LIFETIME	70,000H											
IP RATING	IP66											
SPIGOT ENTRY	42 mm ø / 60 mm ø						76 mm ø					
RECOMMENDED INSTALLATION HEIGHT	3-4M	4-6M	5-6M	5-6M	6-8M	6-8M	8-9M	9-10M	10-12M	10-12M	>12M	>12M
NET WEIGHT (±5%)	6.4KG	6.5KG	6.8KG	10KG	10.5KG	10.7KG	11KG	11.4KG	11.8KG	12KG	12KG	12.5KG

5 RAEBOR ROAD BENROSE JOHANNESBURG 2094

P.O. BOX 27129 JEPPESTOWN 2043

T: +27 (0)11 618 2720 F: +27 (0)11 614 9603

E: SALES@MAGNITECH.CO.ZA

W: MAGNITECH.CO.ZA

Due to continuing R&D, the above data may change without prior notice. Please consult us for the latest available options. Warranties subject to our standard terms and conditions of sale.

